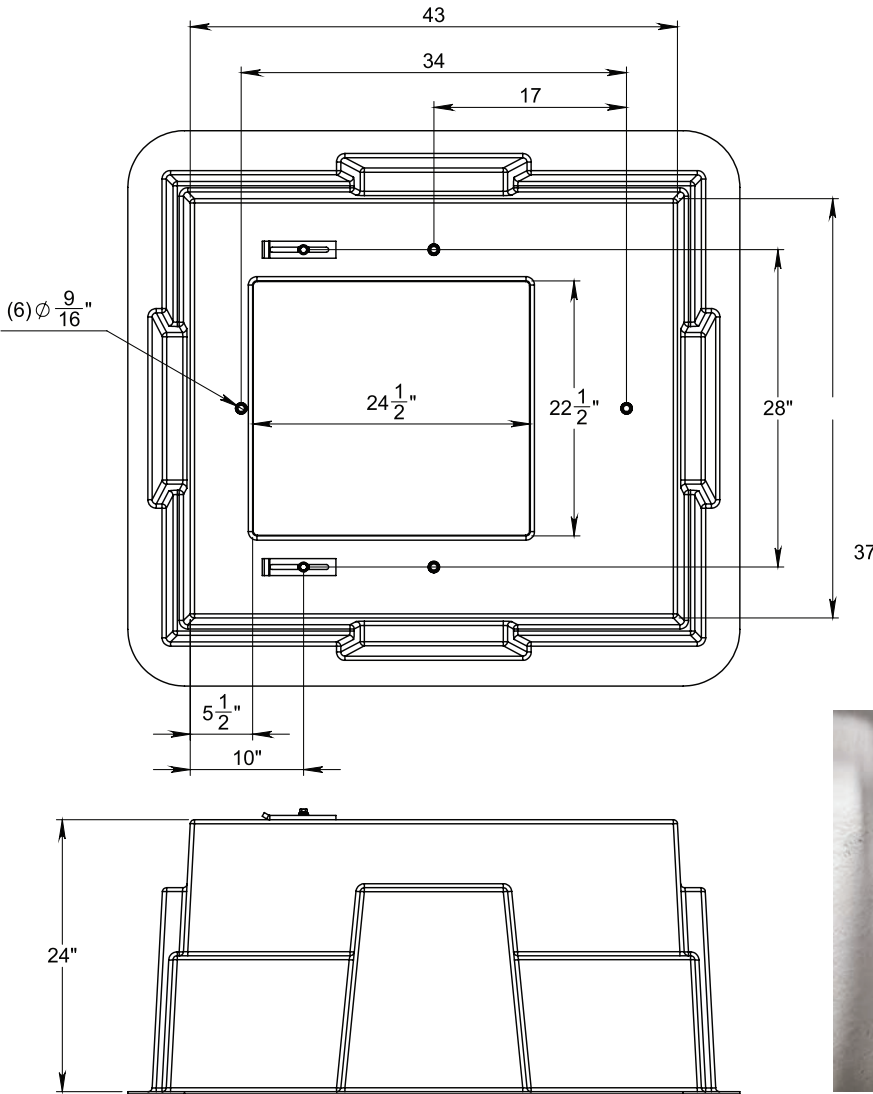


FIBERGLASS BOX PAD  
43" WIDTH X 37" DEEP X 24" HIGH  
WITH 24" X 22" OPENING.  
MUNSELL GREEN  
INCLUDES HOLD DOWN CLAMPS

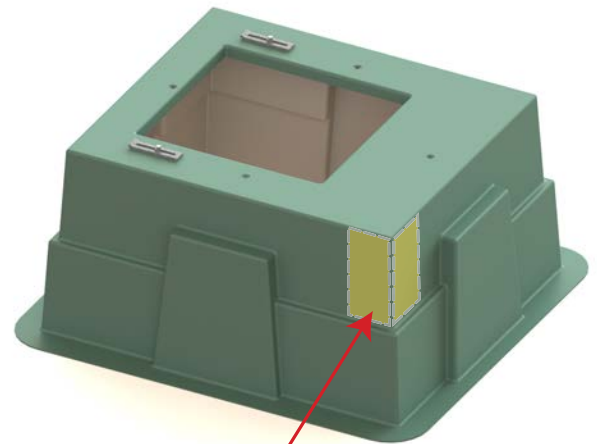
Part Number  
with Reinforced Corners  
**FGBP-433724-2422-MG-A-RC**



FLAT MOLDED SURFACE FOR  
TAMPER RESISTANT MATING  
TO ENCLOSURE

AVERAGE WALL  
THICKNESS: 0.1875

(2) TIE DOWN BRACKETS



**Optional Feature:**

All 4 corners reinforced with  
aluminum embedded in  
fiberglass. (Picture shows "RC"  
position inside the base.)

**PATENT PENDING**

FIBERGLASS BOX PAD  
43" WIDTH X 37" DEEP X 15" HIGH  
WITH 24" X 22" OPENING  
MUNSELL GREEN WITH  
2 TIE DOWN BRACKETS

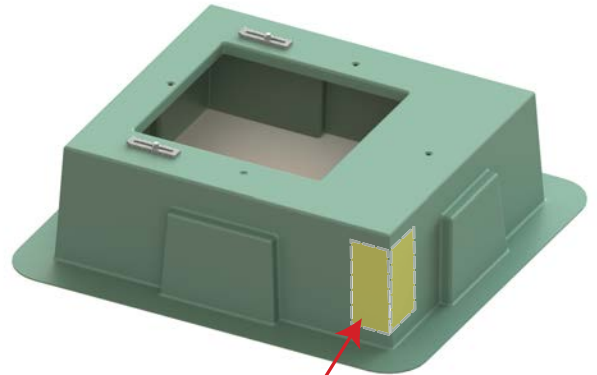
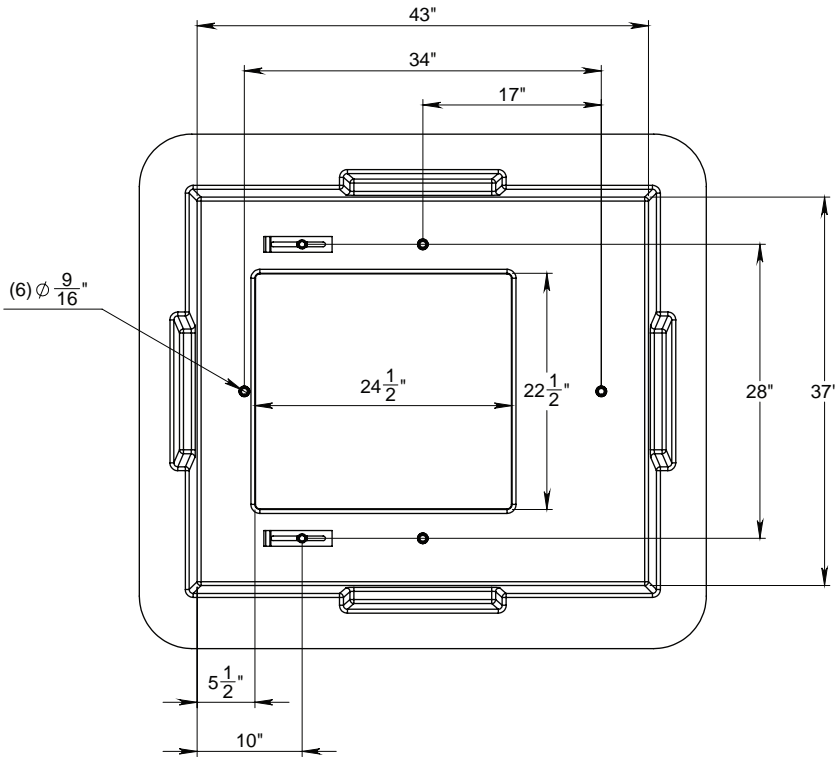
Part Number  
with Reinforced Corners  
**FGBP-433715-2422-MG-A-RC**

FLAT MOLDED SURFACE FOR  
TAMPER RESISTANT MATING  
TO ENCLOSURE

AVERAGE WALL  
THICKNESS: 0.1875

STACKING STOPS

(2) TIE DOWN BRACKETS



**Optional Feature:**  
All 4 corners reinforced with  
aluminum embedded in  
fiberglass. (Picture shows "RC"  
position inside the base.)  
**PATENT PENDING**