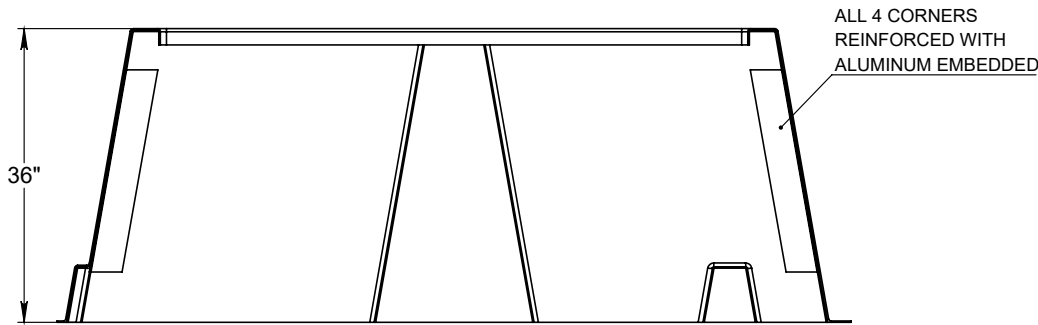
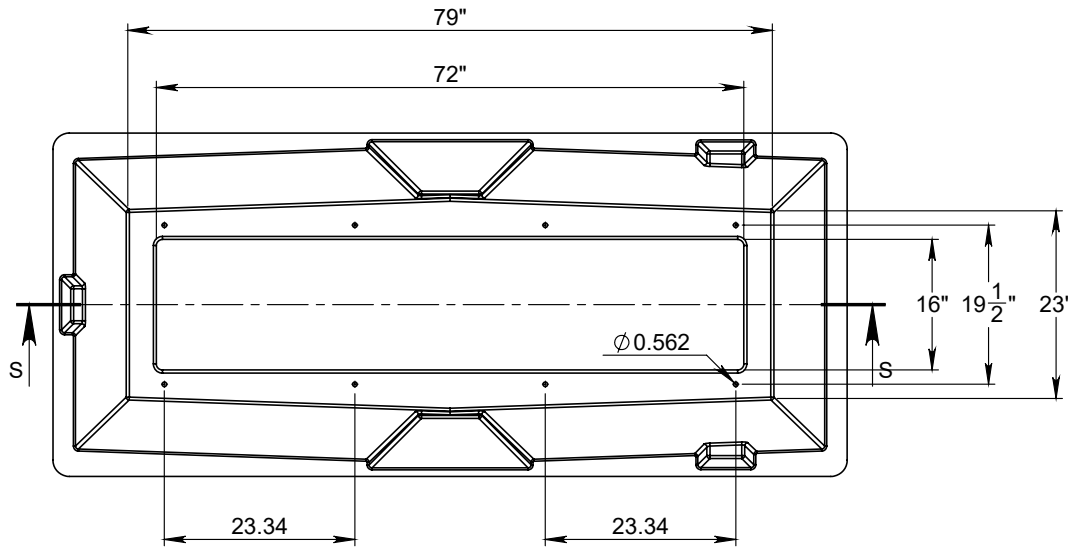


Fiberglass Ground Sleeve For Three Phase Primary Junctions Reinforced With Alumium Embedeed

FGS367823-RC



SECCIÓN S-S

