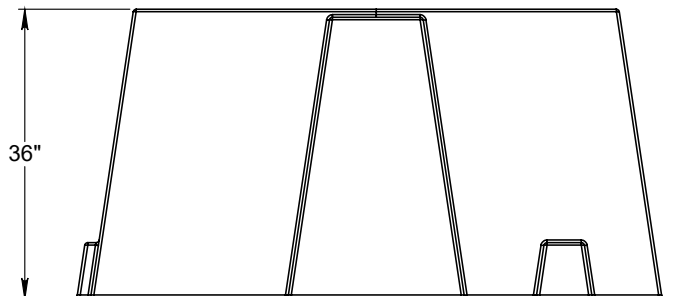
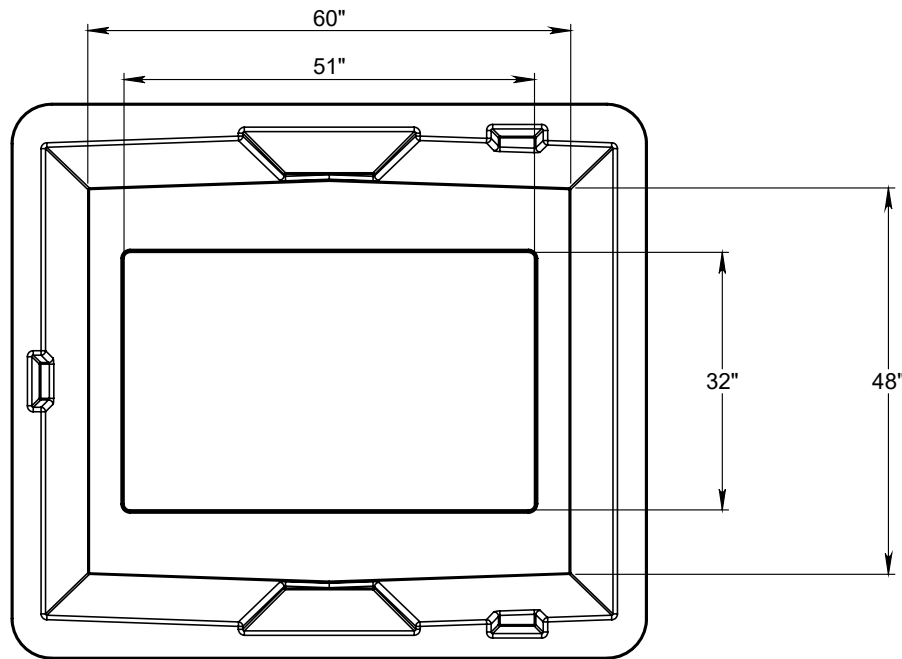


Fiberglass Ground Sleeve For Three Phase Primary Junction Enclosures (8 Holes)

FGS366048



FLAT MOLDED SURFACE FOR
TAMPER RESISTANT MATING
TO ENCLOSURE

AVERAGE WALL
THICKNESS: 0.1875

STACKING STOPS

CONVEX SIDES FOR ADDED STRENGTH

