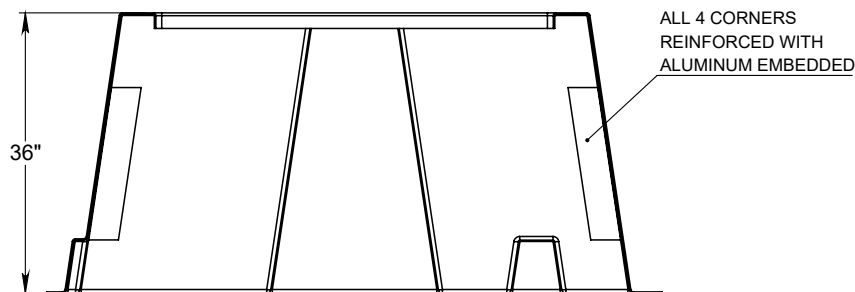
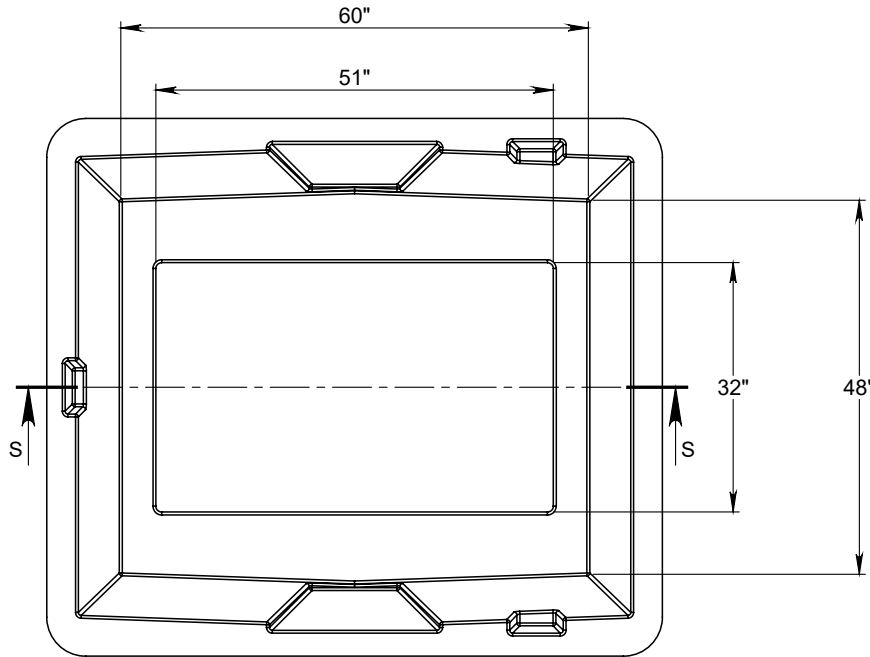


Fiberglass Ground Sleeve For Three Phase Primary Junctions Reinforced With Alumium Embedeed

FGS366048-RC



SECTION S-S

