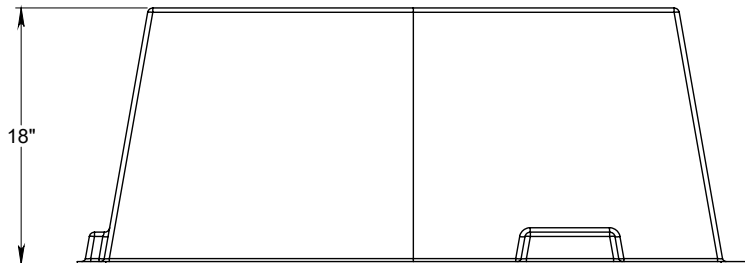
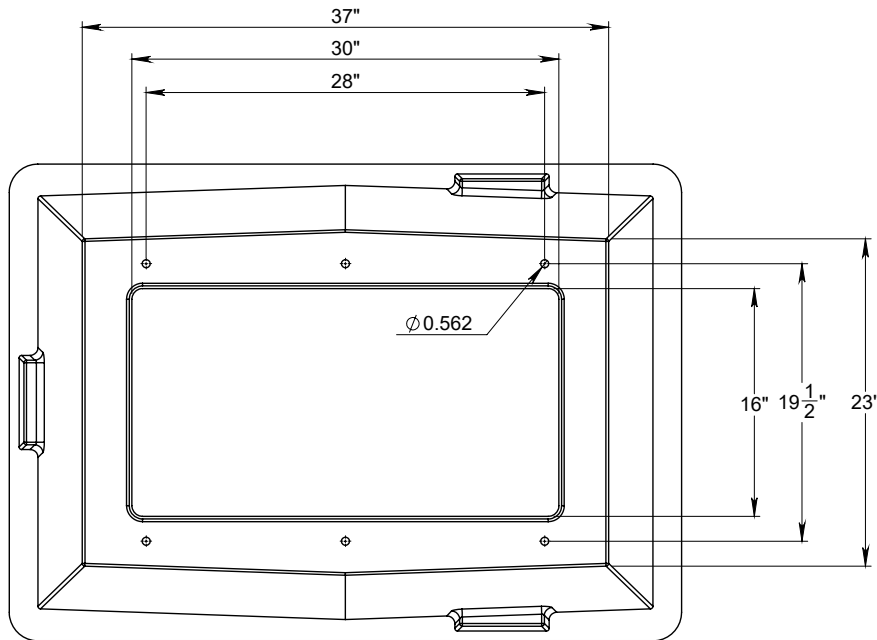


Fiberglass Ground Sleeve For Single Phase Primary Junctions

FGS183623



FLAT MOLDED SURFACE FOR
TAMPER RESISTANT MATING
TO ENCLOSURE

AVERAGE WALL
THICKNESS: 0.1875

STACKING STOPS

CONVEX SIDES FOR ADDED STRENGTH

