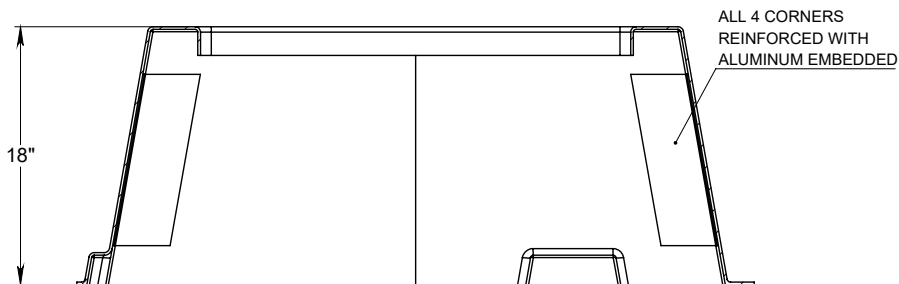
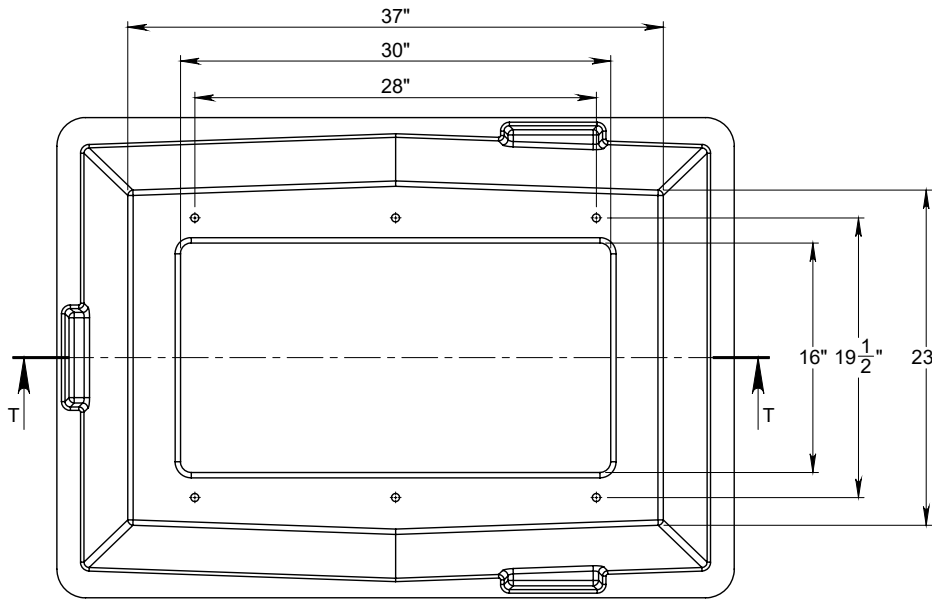


Fiberglass Ground Sleeve For Single Phase Primary Junctions Reinforced With Alumium Embedeed

FGS183623-RC



SECCIÓN T-T
ESCALA 1 : 10

FLAT MOLDED SURFACE FOR
TAMPER RESISTANT MATING
TO ENCLOSURE

AVERAGE WALL
THICKNESS: 0.1875

ALL 4 CORNERS
REINFORCED WITH
ALUMINUM EMBEDDED

STACKING STOPS

CONVEX SIDES FOR ADDED STRENGTH

