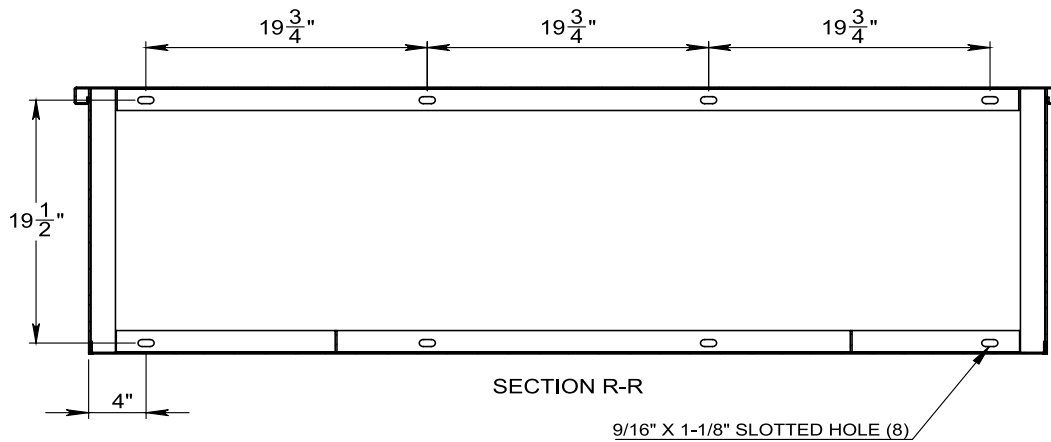


Three Phase Cabinet 25kV 600AMP

APS306723-ACACACA-G2



- Three Phase Aluminum Green High Profile Style 30X67x23 inches with Backplates Code C and Ground Rod Bus along the front.
- 25kV 600AMP configuration.
- Aluminum 5052-H32 or equal, 0.125" thick.
- Green powder coat finish IEEE C57.12.28.
- Lifting provision with two 5/8" 11UNC nuts.
- Mounting Slots on base to be 9/16" X 1 1/4" OBRound Type.
- Two Standard Wind Lock.
- Aluminum Hinges.
- Copper Bar Ø5/8".
- Aluminum Clamps.

