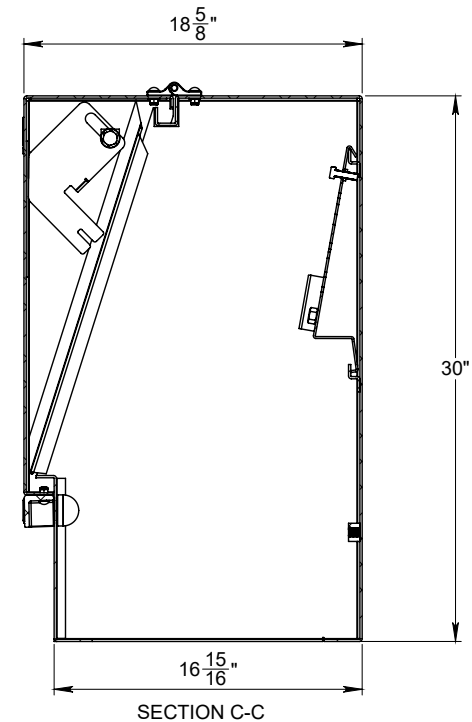
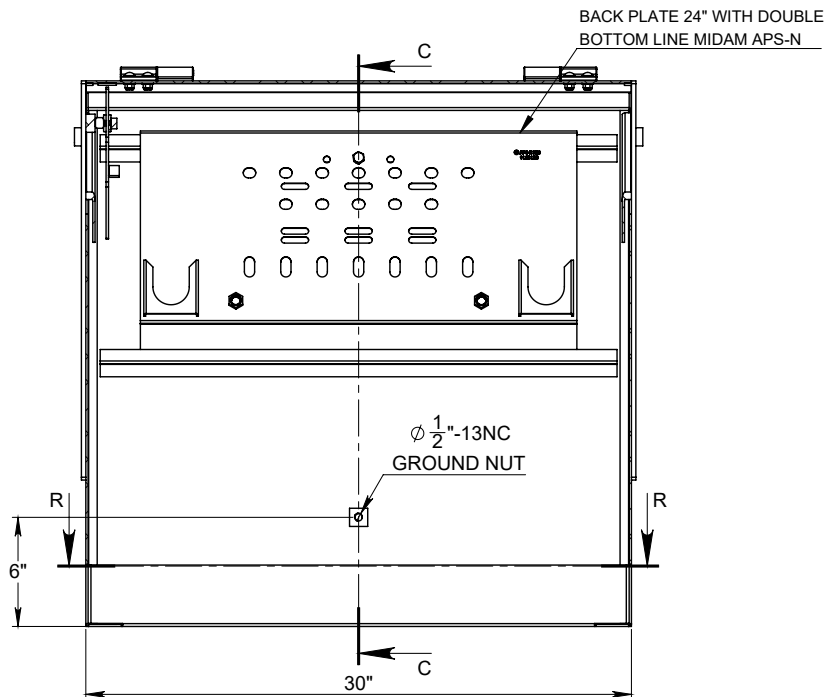
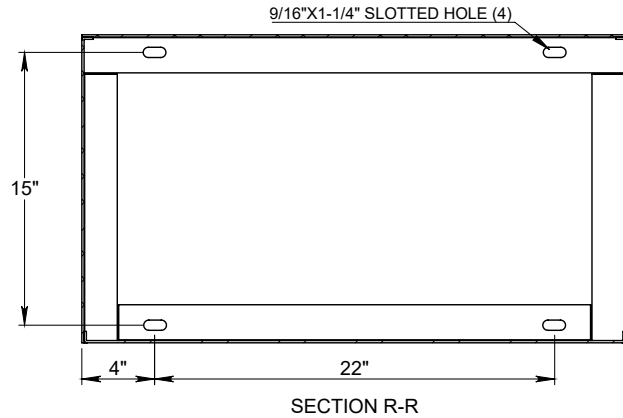


Single Phase Cabinet 15kV 200AMP

OCA-303018-N



- Single Phase Steel Green High Profile Style 30X30x18 inches with 1 Backplate 24" Code N.
- 15kV 200AMP configuration.
- Aluminum 5052-H32 or equal, 0.125" thick.
- Green powder coat finish IEEE C57.12.28.
- Lifting provision with two 5/8" 11UNC nuts.
- Mounting Slots on base to be 9/16" X 1 1/4" OBRound Type.
- One Wind Lock.
- Aluminum Hinges.