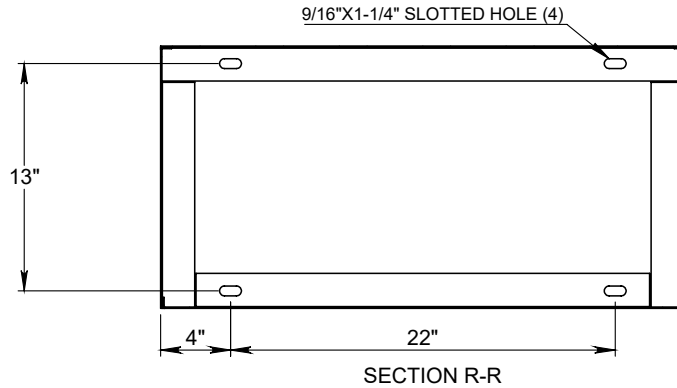


Single Phase Cabinet 25kV 600AMP

APS-14S303015-N



- Cabinet Single Phase Steel Green High Profile 30X30X15 inches with 1 Backplate 24" Code N.
- Steel 14 Gauge.
- Green powder coat finish IEEE C57.12.28.
- Lifting provision with two 5/8" 11UNC nuts.
- Mounting Slots on base to be 9/16 X 1.25" OBRound Type.
- One Wind Lock.
- Aluminum Hinges.

