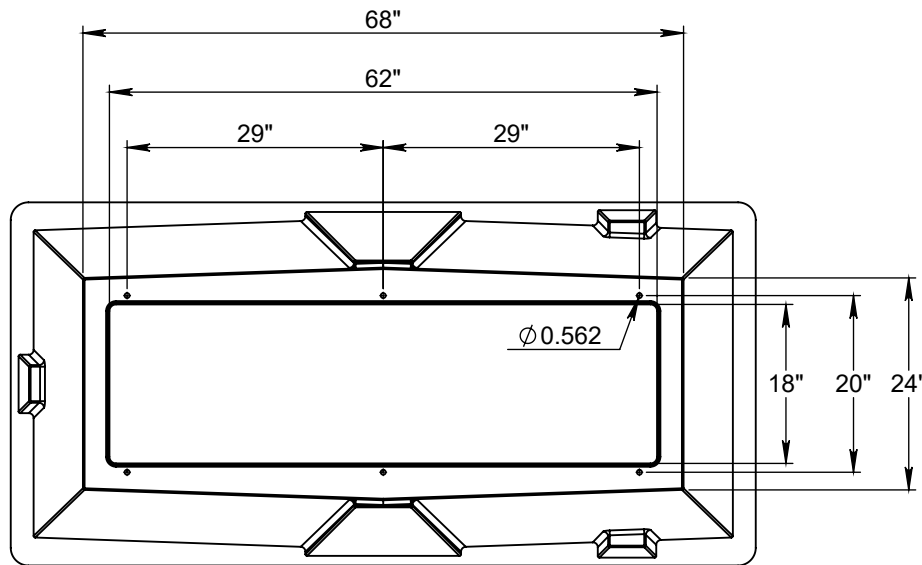


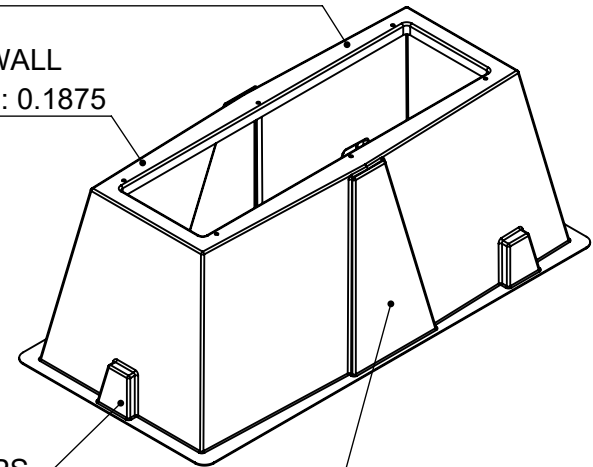
## Fiberglass Ground Sleeve For Three Phase Primary Junction Enclosures (6 Holes)

### FGS326723



FLAT MOLDED SURFACE FOR TAMPER RESISTANT MATING TO ENCLOSURE

AVERAGE WALL THICKNESS: 0.1875



STACKING STOPS

CONVEX SIDES FOR ADDED STRENGTH

