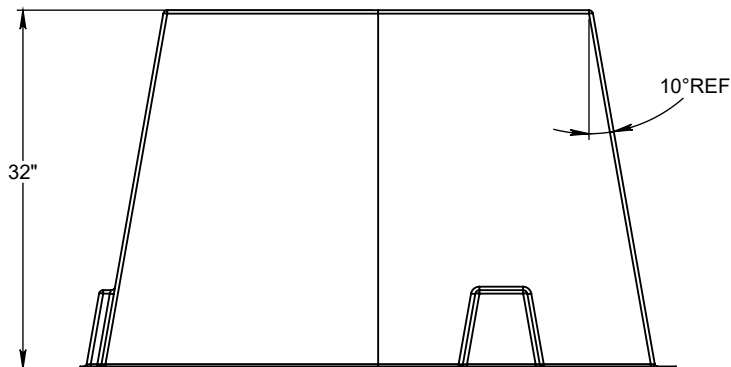
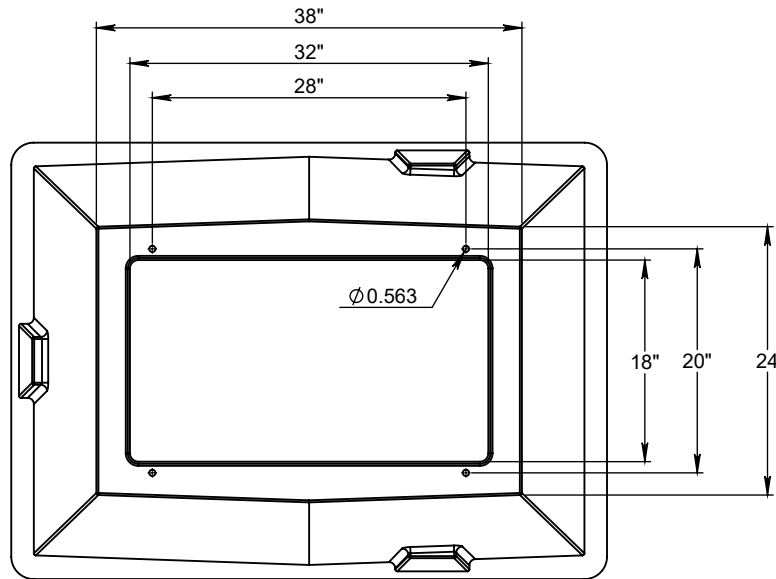


## Fiberglass Ground Sleeve For Single Phase Primary Junctions

**FGS323623**



FLAT MOLDED SURFACE FOR  
TAMPER RESISTANT MATING  
TO ENCLOSURE

AVERAGE WALL  
THICKNESS: 0.1875

STACKING STOPS

CONVEX SIDES FOR ADDED STRENGTH

